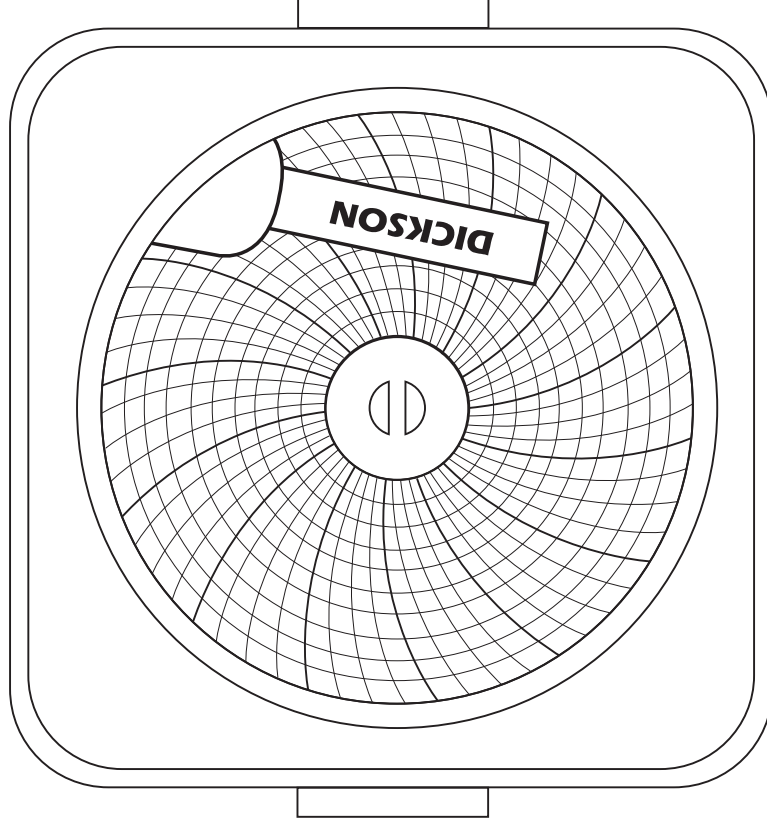




DICKSON
Environmental Monitoring + Compliance Experts

USER MANUAL & PRODUCT GUIDE



SC3
3" TEMPERATURE CHART RECORDER

Need additional support?

Web: DicksonData.com

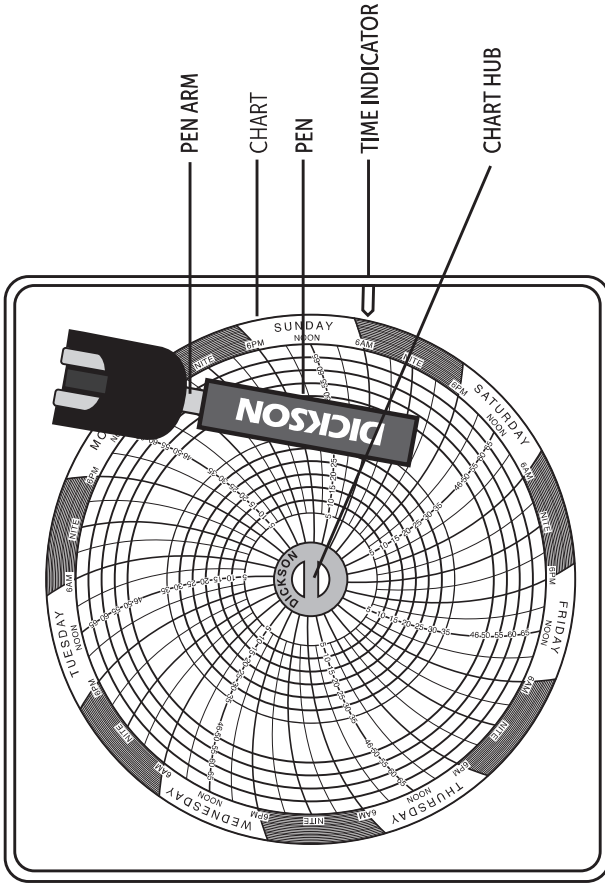
Telephone: 630.543.3747

Email: support@dicksondata.com

930 S. Westwood Avenue
Addison, IL 60101

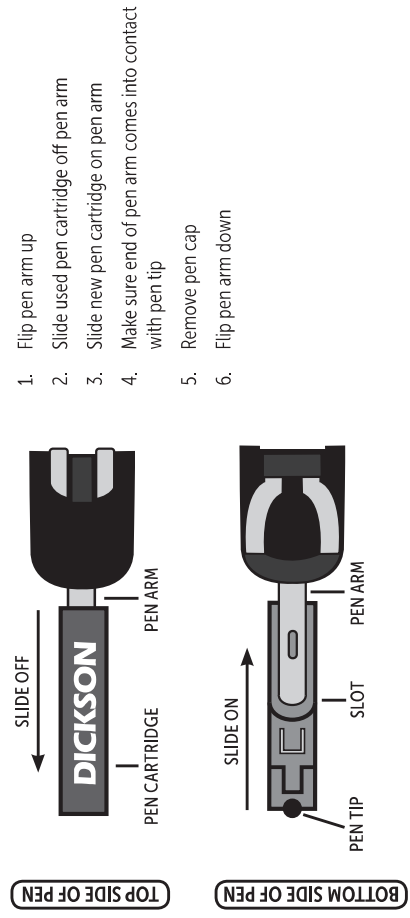


CHART REPLACEMENT



1. Flip pen arm up and away from chart. Slip your finger under the chart and lift the chart off the chart hub
2. Put one new chart on the recorder
3. Make sure the center of the chart, between chart hub, is not torn
4. Set the time by inserting a coin in chart hub and turning clockwise until the current hour is referenced by the time indicator
5. Flip pen arm down

PEN REPLACEMENT



GETTING STARTED

IMPORTANT

Dickson Chart Recorder accuracy specifications are only valid with the use of authentic Dickson brand charts and pens. The specifications for chart printing, die cutting and paper absorption rates, and the complementary bleed rate specifications of pens are critical factors in determining system accuracy.

TO BEGIN OPERATION

This recorder comes with 1 AA battery installed.

1. Set chart rotation: the switch is located in the battery compartment. Unscrew the battery door. Make sure the switch is set to the correct chart rotation speed.
2. Replace the chart paper
3. Set time by inserting a coin into the chart hub and turning it clockwise until the current hour is referenced to the time indicator (time indicator is directly to the right and below the pen tip).
4. Remove protective pen cap

BATTERY REPLACEMENT

- The battery compartment is located on the back of the unit
- The recorder uses a standard AA battery for up to two years of battery life
- Insert new battery with positive end up

CHART NOT ROTATING

1. Make sure the chart paper is not ripped in the center around the Chart Hub
2. Make sure the chart is not hung up or restricted
3. Make sure there is a good battery being used and it is installed correctly

FACTORY SERVICE & RETURNS

Contact Customer Service at 630.543.3747 for a Return Authorization Number (RA) before returning any instrument. Please have the model and serial numbers and PO ready before calling.

Note: Dickson shall not be liable for consequential or incidental damages resulting from failure or malfunction of its products.